

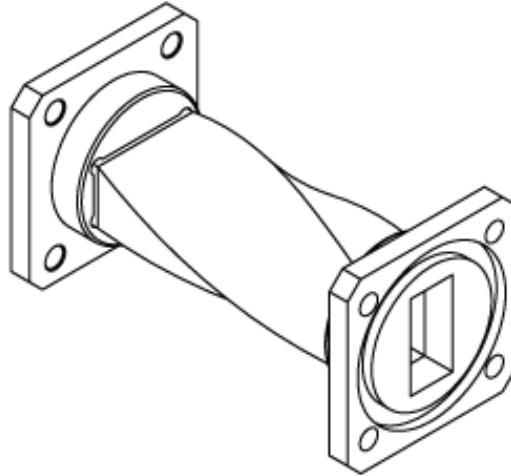


RF Components

Model Number:
WGTC1-197169

C-Band Waveguide Twist

3.30 - 4.90 GHz



Specification	
Waveguide Size	WG11 / R40 / WR229
Frequency	3.30 - 4.90 GHz
Waveguide Flanges	CPRG / CPRF
Material	Copper Waveguide, Brass Flanges
Finish	Black Paint
VSWR	1.05:1
Insertion Loss	0.025dB per meter
Max Power	1500 kW
Length	304.8 mm
Twist Direction	Clockwise
Twist Angle	90 Degrees

Broadcast



Marine Oil & Gas



SNG & VSAT



Satellite Teleport

